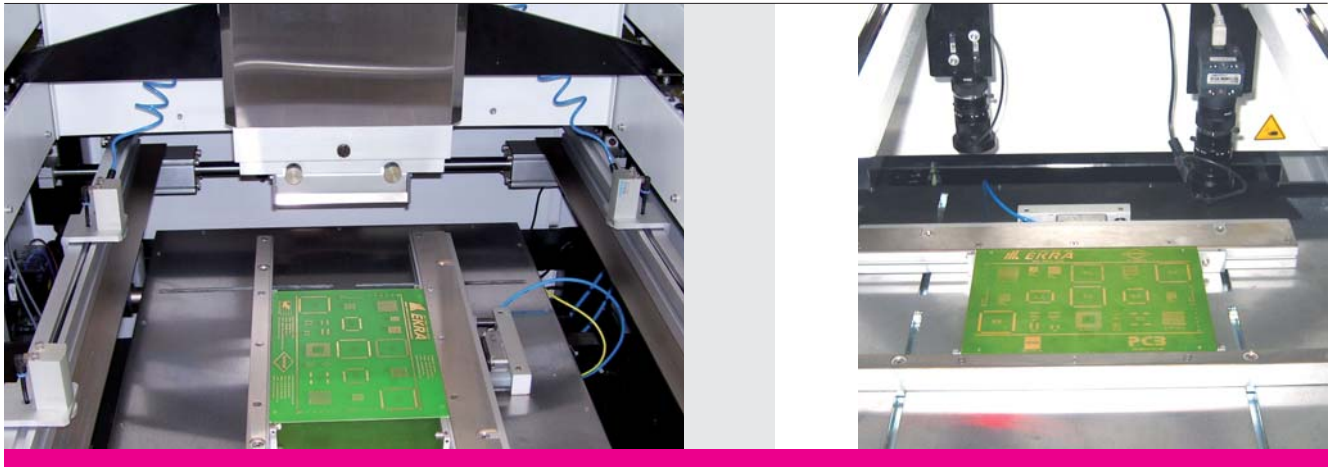


E1 II

Semi-automatic Screenprinter



Description

The E1 II has been developed for areas of application which require optimum precision and economy. As well as these, easy operation, short format conversion times and a great versatility were factors incorporated into the conception of this machine. It is possible to print a large selection of flexible as well as stiff materials, including glass, ceramics, plastics and metals up to a thickness of 6 mm.

The E1 II can process conducting paste, resistance paste, dielectrics, silicon, solder pastes, conductive adhesives, lacquers, and protective layers. These are processed in a precision and quality required in the manufacture of products such as high grade hybrid ICs, multi-layers, LCDs, components, chip carriers, solar cells and also for applications in the SMT area.

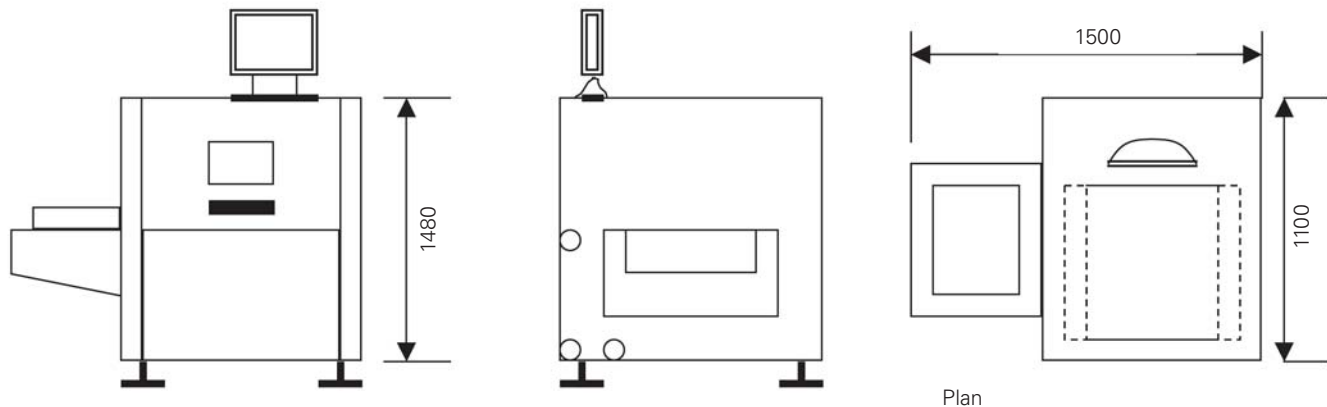
Special Features

- _ Semi-automatic
- _ Welded base frame
- _ Motor driven print table with high repeat accuracy
- _ PC-controller with graphic user interface
- _ Motor driven squeegee
- _ Squeegee head with floating swivelling squeegee

Available options

- _ Manual optical positioning
- _ Vacuum suction cups
- _ Customized vacuum nest

E1 II Semi-automatic Screenprinter



Machine dimensions

Length x width x height *	1500 x 1100 x 1480 mm
Weight	ca. 450 kg
Colour	RAL 9003

Installation requirements

Power supply	110/220 V, 50 / 60 Hz
Power consumption	1.2 kW
Fuse protection	16 A
Operating voltage	24 V
Air supply	5 - 6 bar

Print Parameters

Print speed	10 - 110 mm/s
Print pressure	0 - 260 N
Snap-off speed	0.4 - 1.0mm/s
X, Y ϕ adjustment	X, Y, \pm 4mm, ϕ \pm 2°
Print mode	Print - Print Print - Flood Flood - Print Alternating print

Material to be printed

Frame size	300 x 300 mm - 620 x 800 mm (without adaptor)
Print format max.	350 x 450 mm
Print material thickness	0.1 - 6 mm
Positioning	

Machine Capability

Alignment Repeatability	\pm 10 μ m
-------------------------	------------------

* other dimensions on request

1. Specifications are subject to change without prior notice. Please check with your local sales contact for the latest.

2. Pictures are for illustration only.